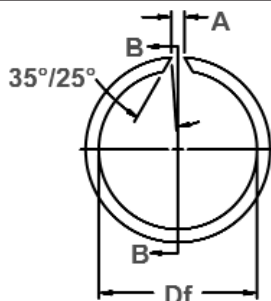


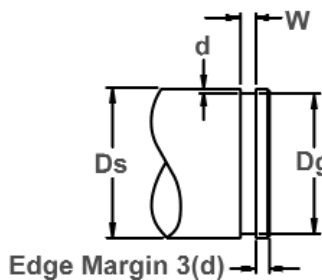
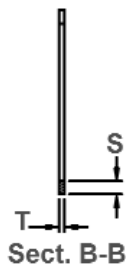
# Snap Ring, External, Inch

Once installed in the groove of a shaft, the portion of the ring protruding from the groove holds an assembly in place.

# USC Constant Section Rings



Free Diameter & Ring Measure



Shaft Diameter & Groove Dimensions

Material: SAE 1060-1075

RING SIZE	SHAFT DIAMETER			GROOVE SIZE			RING DIMENSIONS						ALLOWABLE STATIC THRUST LOAD (Lbs.)				
				DIAMETER		WIDTH	DEPTH	FREE DIAMETER		THICKNESS	SECTION			FREE GAP A			
	Ds DEC	Ds FRACT.	Ds mm	Dg	TOL.	W	d	Df	TOL.	T +/- .002	S	TOL.		Min	Max		
USC-31	.312	5/16	7.92	.290	+/- .002	.028	.011	.281	+ .000	.025	.040	+/- .003	.031	.156	180		
USC-34	.344	11/32	8.74	.322			.011	.312					.025	.040	.031	.156	190
USC-35	.354	-	8.99	.330			.012	.320					.025	.040	.031	.156	210
USC-37	.375	3/8	9.53	.351			.012	.341					.025	.040	.031	.156	230
USC-39	.393	-	10.31	.369			.012	.359					.025	.040	.031	.156	260
USC-40	.406	13/32	11.13	.382			.012	.372					.025	.040	.031	.156	280
USC-43	.438	7/16	11.91	.412			.013	.402					.025	.040	.031	.156	300
USC-46	.469	15/32	12.70	.443			.013	.433					.025	.040	.031	.156	320
USC-50	.500	1/2	14.00	.474			.013	.464					.035	.048	.062	.218	460
USC-55	.551	-	14.27	.524			.039	.514					.035	.048	.062	.218	480
USC-56	.562	9/16	15.09	.534	.039	.524	.035	.048	.062	.218	490						
USC-59	.594	19/32	15.88	.566	.040	.555	.035	.048	.062	.218	510						
USC-62	.625	5/8	17.00	.597	.040	.586	.035	.062	.062	.218	520						
USC-66	.669	-	17.00	.640	.040	.630	.035	.062	.062	.218	570						
USC-68	.688	11/16	48.00	.656	.046	.644	.042	.062	.062	.218	700						
USC-75	.750	3/4	19.05	.716	.046	.703	.042	.062	.062	.218	820						
USC-78	.781	25/32	19.84	.745	.046	.733	.042	.062	.062	.218	950						
USC-81	.812	13/16	20.62	.776	.046	.764	.042	.062	.062	.218	1010						
USC-87	.875	7/8	22.23	.835	.046	.820	.042	.078	.093	.250	1100						
USC-93	.938	15/16	23.83	.896	.046	.881	.042	.078	.093	.250	1130						
USC-98	.984	63/64	25.00	.940	.046	.925	.042	.078	.093	.250	1170						
USC-100	1.000	1	25.40	.956	.046	.941	.042	.093	.156	.312	1200						
USC-102	1.023	-	25.98	.977	.046	.962	.042	.093	.156	.312	1300						
USC-106	1.062	1-1/16	26.97	1.016	.046	1.000	.050	.093	.156	.312	1600						
USC-112	1.125	1-1/8	28.58	1.075	.046	1.060	.050	.093	.156	.312	1880						
USC-118	1.188	1-3/16	30.18	1.136	.046	1.121	.050	.093	.156	.312	1990						
USC-125	1.250	1-1/4	31.75	1.194	.046	1.179	.050	.093	.156	.312	2090						
USC-131	1.312	1-5/16	33.32	1.25	.056	.1232	.050	.093	.156	.312	2100						
USC-137	1.375	1-3/8	34.93	1.309	.056	.1291	.050	.109	.156	.312	2300						
USC-143	1.438	1-7/16	36.53	1.370	.056	1.351	.050	.109	.156	.312	2460						
USC-150	1.500	1-1/2	38.10	1.430	.056	1.408	.050	.109	.156	.312	2500						

Hardness: All ring sizes - HRC 42-53

For alternate cutoff styles, contact Rotor Clip Technical Sales at 1-800-557-6867 (E-mail: tech@rotorclip.com)

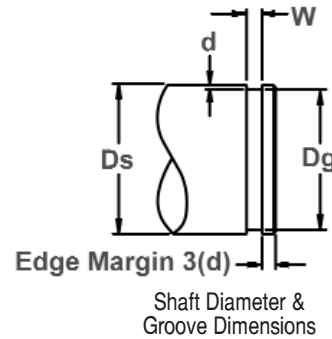
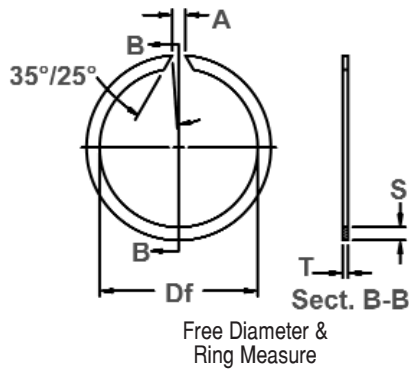


For the most up-to-date specifications, online ordering, quotations & sample orders, visit [www.rotorclip.com](http://www.rotorclip.com)

# USC Constant Section Rings

## Snap Ring, External, Inch

Once installed in the groove of a shaft, the portion of the ring protruding from the groove holds an assembly in place.

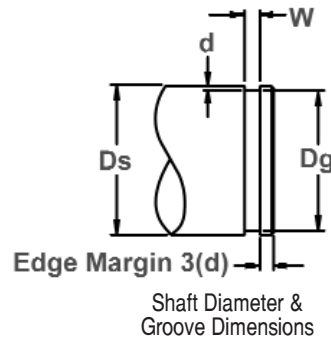
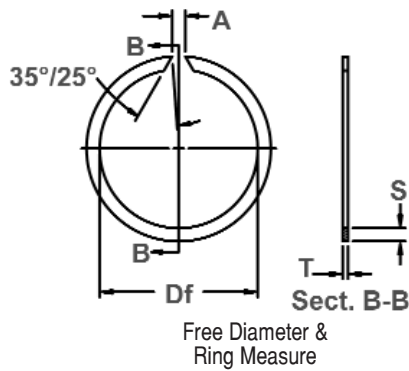


Material: SAE 1060-1075

RING SIZE	SHAFT DIAMETER			GROOVE SIZE			RING DIMENSIONS					ALLOWABLE STATIC THRUST LOAD (Lbs.)			
				DIAMETER		WIDTH	DEPTH	FREE DIAMETER		THICKNESS	SECTION			FREE GAP A	
	Ds DEC	Ds FRACT.	Ds mm	Dg	TOL.	W	d	Df	TOL.	T +/- .002	S +/- .005			TOL.	Min
USC-156	1.562	1-9/16	39.67	1.490	+/- .004	.068 + .004 - .000	.036	1.467	+ .000 - .046	.062	.125	+/- .005	.156	.375	3060
USC-162	1.625	1-5/8	41.28	1.551			.037	1.527		.062	.125		.156	.375	3190
USC-168	1.688	1-11/16	42.90	1.611			.038	1.581		.062	.125		.156	.375	3370
USC-175	1.750	1-3/4	44.40	1.670			.04	1.640		.062	.125		.156	.375	3510
USC-177	1.772	-	45.00	1.687			.042	1.657		.062	.141		.156	.375	3550
USC-181	1.812	1-13/16	46.00	1.728			.042	1.698		.062	.141		.156	.375	3640
USC-187	1.875	1-7/8	47.60	1.789			.043	1.759		.062	.156		.156	.375	3760
USC-196	1.969	1-31/32	50.00	1.879			.045	1.849		.062	.156		.156	.375	3940
USC-200	2.000	2	50.80	1.910			.045	1.880		.062	.156		.156	.375	4010
USC-206	2.062	2-1/16	52.40	1.966			.048	1.936		.078	.156		.156	.375	5350
USC-212	2.125	2-1/8	54.00	2.027	.049	1.997	.078	.156	.156	.375	5470				
USC-215	2.156	2-5/32	54.80	2.056	.050	2.026	.078	.156	.156	.375	5680				
USC-225	2.250	2-1/4	57.10	2.146	.052	2.116	.078	.156	.156	.375	5790				
USC-231	2.312	2-5/16	58.70	2.204	.054	2.174	.078	.187	.156	.375	6300				
USC-237	2.375	2-3/8	60.30	2.265	.055	2.235	.078	.187	.156	.375	6400				
USC-243	2.438	2-7/16	61.90	2.325	.056	2.295	.078	.187	.156	.375	6500				
USC-250	2.500	2-1/2	63.50	2.386	.057	2.356	.078	.187	.156	.375	6600				
USC-255	2.559	-	65.00	2.443	.058	2.413	.078	.187	.156	.375	6700				
USC-262	2.625	2-5/8	66.70	2.505	.060	2.475	.078	.187	.156	.375	6800				
USC-268	2.688	2-11/16	68.30	2.565	.061	2.535	.078	.187	.156	.375	6900				
USC-275	2.750	2-3/4	69.80	2.624	.063	2.594	.093	.187	.187	.437	8460				
USC-287	2.875	2-7/8	73.00	2.743	.066	2.713	.093	.187	.187	.437	8840				
USC-293	2.938	2-15/16	74.60	2.801	.068	2.771	.093	.187	.187	.437	9030				
USC-300	3.000	3	76.20	2.860	.070	2.830	.093	.218	.187	.437	9230				
USC-306	3.062	3-1/16	77.80	2.920	.071	2.890	.093	.218	.187	.437	9420				
USC-312	3.125	3-1/8	79.40	2.981	.072	2.951	.093	.218	.187	.437	9630				
USC-315	3.156	3-5/32	80.20	3.010	.073	2.980	.093	.218	.187	.437	9800				
USC-325	3.250	3-1/4	82.50	3.100	.075	3.070	.093	.250	.187	.437	10000				
USC-334	3.346	3-11/32	85.00	3.190	.077	3.160	.093	.250	.187	.437	10290				
USC-343	3.438	3-7/16	87.3	3.281	.078	3.251	.093	.250	.187	.437	10570				

Hardness: All ring sizes - HRC 42-53

For alternate cutoff styles, contact Rotor Clip Technical Sales at 1-800-557-6867 (E-mail: tech@rotorclip.com)



Material: SAE 1060-1075

RING SIZE	SHAFT DIAMETER			GROOVE SIZE			RING DIMENSIONS					ALLOWABLE STATIC THRUST LOAD (Lbs.)			
				DIAMETER		WIDTH	DEPTH	FREE DIAMETER		THICKNESS	SECTION		FREE GAP A		
	Ds DEC	Ds FRACT.	Ds mm	Dg	TOL.	W	d	Df	TOL.	T +/- .002	S +/- .005		TOL.	Min	Max
USC-350	3.500	3-1/2	88.9	3.340			.080	3.305		.109	.250		.250	.562	11970
USC-354	3.543	-	90.0	3.381			.081	3.346		.109	.250		.250	.562	12120
USC-362	3.625	3-5/8	92.1	3.458			.083	3.423	+ .000	.109	.250		.250	.562	12300
USC-368	3.688	3-11/16	93.7	3.517			.085	3.482	- .078	.109	.250		.250	.562	12600
USC-375	3.750	3-3/4	95.2	3.576			.087	3.541		.109	.250		.250	.562	12800
USC-387	3.875	3-7/8	98.4	3.697			.089	3.657		.109	.281		.250	.562	13200
USC-393	3.938	3-15/16	100.0	3.758			.090	3.713		.109	.281		.250	.562	13470
USC-400	4.000	4	101.6	3.816			.092	3.771		.109	.281		.250	.656	13650
USC-425	4.250	4-1/4	108.0	4.066	+/- .006		.092	4.016		.109	.281		.250	.656	15000
USC-437	4.375	4-3/8	111.1	4.191			.092	4.141	+ .000	.109	.281		.250	.656	15500
USC-450	4.500	4-1/2	114.3	4.310			.095	4.255	- .093	.109	.312		.250	.656	16200
USC-475	4.750	4-3/4	120.6	4.550			.100	4.495		.109	.312		.250	.656	16480
USC-500	5.000	5	127.0	4.790			.105	4.730		.109	.312		.250	.656	17110
USC-525	5.250	5-1/4	133.3	5.030			.110	4.970		.125	.375	+/- .005	.250	.750	20590
USC-550	5.500	5-1/2	139.7	5.266			.117	5.206		.125	.375		.250	.750	21790
USC-575	5.750	5-3/4	146.0	5.506			.122	5.446		.125	.375		.250	.750	23010
USC-590	5.900	-	149.9	5.656			.122	5.600	+ .000	.125	.375		.250	.750	23625
USC-600	6.000	6	152.4	5.746			.127	5.687	- .125	.125	.375		.250	.750	24000
USC-625	6.250	6-1/4	158.7	5.986			.132	5.916		.156	.437		.250	.750	30310
USC-650	6.500	6-1/2	165.1	6.226			.137	6.151		.156	.437		.250	.750	33760
USC-675	6.750	6-3/4	171.4	6.466			.142	6.386		.156	.437		.250	.750	36840
USC-700	7.000	7	177.8	6.706			.147	6.621		.156	.437		.250	.750	39920
USC-725	7.250	7-1/4	184.2	6.930			.160	6.840		.187	.500		.250	.875	43100
USC-750	7.500	7-1/2	190.5	7.180	+/- .008		.160	7.090		.187	.500		.250	.875	44500
USC-800	8.000	8	203.2	7.660			.170	7.560		.187	.500		.250	.875	45500
USC-850	8.500	8-1/2	215.9	8.160			.170	8.050	+ .000	.187	.500		.250	.875	46700
USC-900	9.000	9	228.6	8.660			.170	8.545	- .156	.187	.500		.250	.875	49900
USC-925	9.250	9-1/4	234.9	8.910			.170	8.800		.187	.500		.250	.875	51000
USC-950	9.500	9-1/2	241.3	9.160			.170	9.040		.187	.500		.250	.875	52590
USC-1000	10.000	10	254.0	9.660			.170	9.535		.187	.500		.250	.875	55600

Hardness: All ring sizes - HRC 42-53