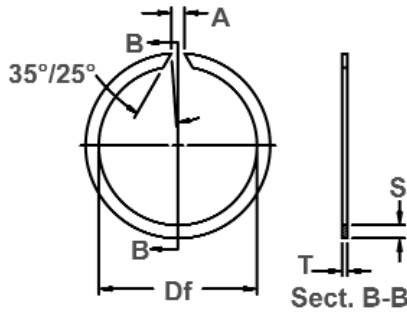


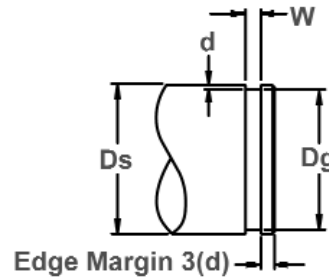
Snap Ring, External, Inch

A light-duty ring designed for needle bearings, once installed in the groove of a shaft the portion of the ring protruding from the groove holds an assembly in place.

SNL Constant Section



Free Diameter & Ring Measurements



Shaft Diameter & Groove Dimensions

Material: SAE 1060-1075

RING SIZE	SHAFT DIAMETER			GROOVE SIZE			RING DIMENSIONS						ALLOWABLE STATIC THRUST LOAD (Lbs.)		
				DIAMETER		WIDTH	DEPTH	FREE DIAMETER	THICKNESS	SECTION		FREE GAP			
	Ds DEC	Ds FRACT.	Ds mm	Dg	TOL.	W	d	Df	TOL.	T ±.002	S	TOL.		A min	A Max
SNL-50	.500	1/2	12.7	.474	±.002	.039	.013	.465	+ .000	.035	.048	±.003	.062	.218	460
SNL-62	.625	5/8	15.88	.597		±.003	.014	.587	- .025	.035	.062		.062	.218	520
SNL-75	.750	3/4	19.05	.716	±.004		.017	.704	+ .000	.042	.078	±.005	.062	.218	900
SNL-87	.875	7/8	22.23	.833		±.004	.021	.823		- .031	.042		.093	±.005	.125
SNL-100	1.000	1	25.40	.954	±.004		.023	.944	+ .000		.042	.093	±.005		.125
SNL-112	1.125	1-1/8	28.58	1.077		±.004	.024	1.065		- .031	.042	.125		±.005	.125
SNL-118	1.187	1-3/16	30.15	1.135	±.004		.026	1.120	+ .000		.042	.125	±.005		.125
SNL-125	1.250	1-1/4	31.75	1.194		±.004	.028	1.179		- .031	.042	.125		±.005	.125
SNL-131	1.312	1-5/16	33.32	1.252	±.004		.030	1.232	+ .000		.042	.125	±.005		.125
SNL-137	1.375	1-3/8	34.93	1.309		±.004	.033	1.289		- .031	.042	.125		±.005	.125
SNL-143	1.437	1-7/16	36.50	1.369	±.004		.034	1.349	+ .000		.042	.125	±.005		.125
SNL-150	1.500	1-1/2	38.10	1.430		±.004	.035	1.410		- .031	.042	.125		±.005	.125
SNL-162	1.625	1-5/8	41.28	1.545	±.004		.040	1.520	+ .000		.042	.156	±.005		.156
SNL-168	1.687	1 -11/16	42.85	1.607		±.004	.040	1.582		- .062	.042	.156		±.005	.156
SNL-175	1.750	1-3/4	44.45	1.670	±.004		.040	1.645	+ .000		.042	.156	±.005		.156
SNL-193	1.937	1-15/16	49.20	1.857		±.004	.040	1.832		- .062	.042	.156		±.005	.156
SNL-200	2.000	2	50.80	1.920	±.004		.040	1.895	+ .000		.042	.156	±.005		.156
SNL-218	2.187	2-3/16	55.55	2.107		±.004	.040	2.082		- .062	.042	.156		±.005	.156
SNL-225	2.250	2-1/4	57.15	2.170	±.004		.040	2.145	+ .000		.042	.156	±.005		.156
SNL-237	2.375	2-3/8	60.33	2.295		±.004	.040	2.270		- .062	.042	.156		±.005	.156
SNL-250	2.500	2-1/2	63.50	2.420	±.004		.040	2.390	+ .000		.042	.156	±.005		.156
SNL-275	2.750	2-3/4	69.85	2.626		±.006	.062	2.596		- .078	.062	.187		±.005	.156
SNL-293	2.937	2-15/16	74.60	2.813	±.006		.062	2.783	+ .000		.062	.187	±.005		.156
SNL-300	3.000	3	76.20	2.876		±.006	.062	2.846		- .078	.062	.187		±.005	.156
SNL-312	3.125	3-1/8	79.38	3.000	±.006		.062	2.965	+ .000		.062	.187	±.005		.156
SNL-325	3.250	3-1/4	82.55	3.125		±.006	.062	3.090		- .078	.062	.187		±.005	.156
SNL-337	3.375	3-3/8	85.73	3.250	±.006		.062	3.215	+ .000		.062	.187	±.005		.156
SNL-350	3.500	3-1/2	88.90	3.375		±.006	.062	3.340		- .093	.062	.187		±.005	.156
SNL-375	3.750	3-3/4	95.25	3.610	±.006		.070	3.570	+ .000		.078	.218	±.005		.187
SNL-400	4.000	4	101.60	3.860		±.006	.070	3.820		- .093	.078	.218		±.005	.187
SNL-425	4.250	4-1/4	107.95	4.110	±.006		.070	4.070	+ .000		.078	.218	±.005		.187
SNL-450	4.500	4-1/2	114.30	4.360		±.006	.070	4.320		- .093	.078	.218		±.005	.187
SNL-475	4.750	4-3/4	120.65	4.610	±.006		.070	4.560	+ .000		.078	.218	±.005		.187
SNL-500	5.000	5	127.00	4.860		±.006	.070	4.800		- .093	.078	.218		±.005	.187
SNL-550	5.500	5-1/2	139.70	5.340	±.008		.103	.080	+ .000		.093	.250	±.005		.218
SNL-600	6.000	6	152.40	5.840		±.008	.103	.080		- .125	.093	.250		±.005	.218
SNL-650	6.500	6-1/2	165.10	6.340	±.008		.103	.080	+ .000		.093	.250	±.005		.218
SNL-700	7.000	7	177.80	6.840		±.008	.103	.080		- .125	.093	.250		±.005	.218
SNL-750	7.500	7-1/2	190.50	7.320	±.008		.120	.090	+ .000		.109	.281	±.005		.218
SNL-800	8.000	8	203.24	7.820		±.008	.120	.090		- .156	.109	.281		±.005	.218

Hardness: All Ring Sizes - HRC 42-52

For alternate cutoff styles, contact Rotor Clip Technical Sales at 1-800-557-6867 (E-mail: tech@rotorclip.com)