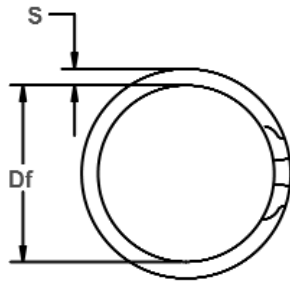


MCM Spiral Shaft Rings

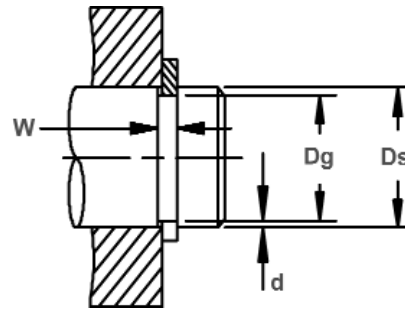
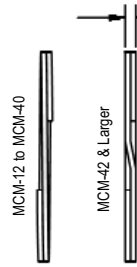
External, Medium Duty, Metric

These rings offer the greatest economy in price and size.

They are able to handle approximately twice the thrust capacity of the DCL series.

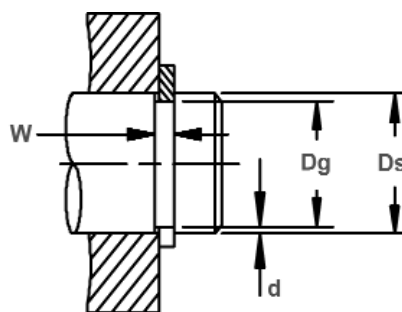
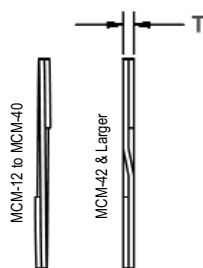
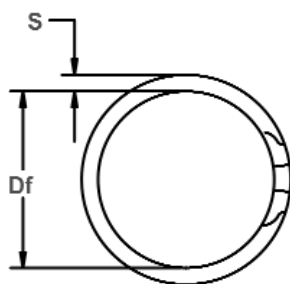


Free Diameter & Ring Measurements



Shaft Diameter & Groove Dimensions

RING NO.	SHAFT DIAMETER (mm)	GROOVE SIZE				RING SIZE				THRUST LOAD (N)			
		DIAMETER		WIDTH		FREE DIAMETER		THICKNESS		SECTION	RING Safety factor of 3	GROOVE Safety factor of 2	
		Dg	Tol.	W	Tol.	Df	Tol.	T	Tol.				S
MCM-12	12	11.34		0.75		11.21		0.64		1.14		8484	2246
MCM-13	13	12.28		0.75		12.15		0.64		1.14		9191	2951
MCM-14	14	13.28		0.75		13.15		0.64		1.14		9898	3480
MCM-15	15	14.28		0.75		14.15		0.64		1.14		10605	3729
MCM-16	16	15.14		0.75		14.98		0.64		1.40		11312	4750
MCM-17	17	16.14		0.75		15.98		0.64		1.40		12091	5047
MCM-18	18	17.14	+ 0.10	0.75		16.98		0.64		1.40		12726	5344
MCM-19	19	18.14	-0.00	0.91	+ 0.08	17.98	+ 0.00	0.80		1.65		15145	5573
MCM-20	20	19.14		0.91	-0.00	18.98	-0.33	0.80		1.65		15942	5938
MCM-21	21	20.14		0.91		19.98		0.80		1.65		16739	6235
MCM-22	22	21.00		0.91		20.82		0.80	+0.05	1.65		17536	7595
MCM-23	23	22.00		0.91		21.82		0.80	-0.05	1.65		18333	7941
MCM-24	24	23.00		0.91		22.80		0.80		1.65		19131	8286
MCM-25	25	23.84		1.07		23.64		0.94		1.90		23415	10012
MCM-26	26	24.84	+0.13	1.07		24.61		0.94		1.90		24352	10412
MCM-27	27	25.84	-0.00	1.07		25.61		0.94		1.90		25288	10813
MCM-28	28	26.84		1.07		26.61		0.94		1.90		26225	11213
MCM-29	29	27.84		1.07		27.61		0.94		1.90		27161	11614
MCM-30	30	28.68		1.22		28.45		1.10		2.16		32881	13671
MCM-32	32	30.68		1.22		30.43	+ 0.00	1.10		2.16		35073	14583
MCM-33	33	31.68		1.22		31.42	-0.38	1.10		2.40		36169	15039
MCM-34	34	32.68	+0.20	1.22		32.43		1.10		2.40	+0.08	37265	15494
MCM-35	35	33.60	-0.00	1.22		33.32		1.10		2.40	-0.13	38361	16917
MCM-36	36	34.60		1.22		34.32		1.10		2.40		39457	17400
MCM-37	37	35.66		1.22		35.36		1.10		2.40		40553	17883
MCM-38	38	36.60		1.22		36.32		1.10		2.40		41649	18367
MCM-39	39	37.48		1.42		37.25		1.25		2.75		44350	20466
MCM-40	40	38.48		1.42		38.18		1.25		2.75		45487	20991
MCM-42	42	40.40		1.42	+0.10	40.10		1.25		2.75		47761	23200
MCM-43	43	41.38	+ 0.25	1.42	-0.00	41.04	+ 0.00	1.25		3.00		48899	24049
MCM-44	44	42.38	-0.00	1.42		42.06	-0.50	1.25		3.00		50036	24609
MCM-45	45	43.28		1.42		42.95		1.25		3.00		51173	26722
MCM-47	47	45.22		1.42		44.85		1.25		3.25		53447	29207
MCM-48	48	46.20		1.42		45.85		1.25	+0.08	3.25		54584	29829
MCM-50	50	48.20		1.42		47.82		1.25	-0.08	3.25		56859	31072
MCM-52	52	50.00		1.42		49.62		1.25		3.25		59133	35905
MCM-53	53	51.00		1.42		50.62		1.25		3.25		60270	36595
MCM-54	54	52.00		1.42		51.62		1.25		3.25		61408	37286
MCM-55	55	53.00		1.42		52.62		1.25		3.50		62545	37976
MCM-56	56	54.00	+0.30	1.42		53.62	+ 0.00	1.25		3.50		63682	38667
MCM-58	58	55.86	-0.00	1.42		55.43	-0.63	1.25		3.50		65956	42851
MCM-59	59	56.86		1.42		56.43		1.25		3.50		67093	43590
MCM-60	60	57.86		1.42		57.43		1.25		3.50		68231	44329
MCM-61	61	58.76		1.42		58.36		1.25		3.50		69368	47174
MCM-62	62	59.76		1.42		59.30		1.25		3.76		70505	47947



Free Diameter & Ring Measurements

Shaft Diameter & Groove Dimensions

RING NO.	SHAFT DIAMETER (mm)	GROOVE SIZE				FREE DIAMETER		RING SIZE THICKNESS		SECTION		THRUST LOAD (N)	
		DIAMETER		WIDTH		Df	Tol.	T	Tol.	S	Tol.	RING Safety factor of 3	GROOVE Safety factor of 2
		Dg	Tol.	W	Tol.								
MCM-63	63	60.76		1.42		60.30		1.25		3.76		71642	48720
MCM-64	64	61.76		1.42		61.25		1.25		3.76		72779	49494
MCM-65	65	62.66		1.42		62.20	+0.00	1.25		3.76		73916	50267
MCM-66	66	63.64		1.42		63.16	-0.63	1.25		3.76	+0.08	75054	53775
MCM-67	67	64.56		1.42	+0.10	64.16		1.25		3.76	-0.13	76191	56440
MCM-68	68	65.56		1.42	-0.00	65.08		1.25		4.00		77328	57282
MCM-69	69	66.56		1.42		66.06		1.25		4.00		78465	58125
MCM-70	70	67.56		1.42		67.08		1.25		4.00		79602	58967
MCM-71	71	68.56		1.42		68.04		1.25	+0.08	4.00		80740	59809
MCM-72	72	69.50		1.42		69.00	+0.00	1.25	-0.08	4.27		81877	62143
MCM-75	75	72.46	+0.30	1.42		71.93	-0.76	1.25		4.27		85288	65768
MCM-78	78	75.40	-0.00	1.73		74.84		1.55		4.27		109988	70015
MCM-80	80	77.36		1.73		76.80		1.55		4.52		112808	72915
MCM-82	82	79.30		1.73		78.72		1.55		4.52		115628	76436
MCM-85	85	82.20		1.73		81.62		1.55		4.77		119858	82167
MCM-88	88	85.16		1.73		84.53		1.55		4.77		124089	86282
MCM-90	90	87.06		1.73		86.43		1.55		5.03		126909	91350
MCM-95	95	92.00		1.73		91.37		1.55		5.03		133959	98393
MCM-100	100	96.86		1.73		96.10	+0.00	1.55		5.28		141010	108405
MCM-105	105	101.70		1.73	+0.13	100.94	-1.00	1.55		5.53	+0.10	148060	119626
MCM-110	110	106.54		1.73	-0.00	105.75		1.55		5.80	-0.15	155111	131398
MCM-115	115	111.40		1.73		110.59		1.55		6.05		162161	142929
MCM-120	120	116.30		2.00		115.49		1.83		6.35		199779	153286
MCM-125	125	121.30		2.00		120.44		1.83		6.35		208103	159673
MCM-130	130	126.20		2.00		125.34		1.83		6.35		216427	170548
MCM-135	135	131.10		2.00		130.20		1.83		6.35		224752	181769
MCM-140	140	136.08	+0.35	2.00		135.14	+0.00	1.83		6.35		233076	189468
MCM-145	145	141.00	-0.00	2.00		140.00	-1.30	1.83		6.35		241400	200293
MCM-150	150	146.00		2.00		145.00		1.83		6.35		249724	207144
MCM-155	155	150.40		2.40		149.33		2.18		7.92		307401	246156
MCM-160	160	155.40		2.40		154.31		2.18		7.92		317318	254096
MCM-165	165	160.40		2.40		159.23	+0.00	2.18		7.92		327234	262037
MCM-170	170	165.20		2.40		164.00	-1.52	2.18	+0.10	7.92		337150	281716
MCM-175	175	170.20		2.40		169.00		2.18	-0.10	7.92		347066	290001
MCM-180	180	175.00		2.40		173.78		2.18		7.92		356982	310716
MCM-185	185	180.00		2.40		178.70		2.18		7.92		366899	319347
MCM-190	190	185.00	+0.40	2.40	+0.15	183.70		2.18		7.92	+0.10	376815	327978
MCM-195	195	189.80	-0.00	2.40	-0.00	188.43		2.18		7.92	-0.20	386731	350073
MCM-200	200	194.80		2.40		193.43		2.18		7.92		396647	359049
MCM-210	210	204.40		2.40		202.93		2.18		9.52		416479	406002
MCM-220	220	214.20		2.40		212.65	+0.00	2.18		9.52		436312	440526
MCM-230	230	224.20		2.40		222.60	-1.78	2.18		9.52		456144	460550
MCM-240	240	234.00		2.40		232.32		2.18		9.52		475976	497145
MCM-250	250	243.60		2.40		241.83		2.18		9.52		495809	552383
MCM-260	260	253.40		2.40		251.57		2.18		9.52		515641	592431
MCM-270	270	263.20		2.40		261.30		2.18		9.52		535474	633806
MCM-280	280	273.00		2.40		271.04		2.18		9.52		555306	676670